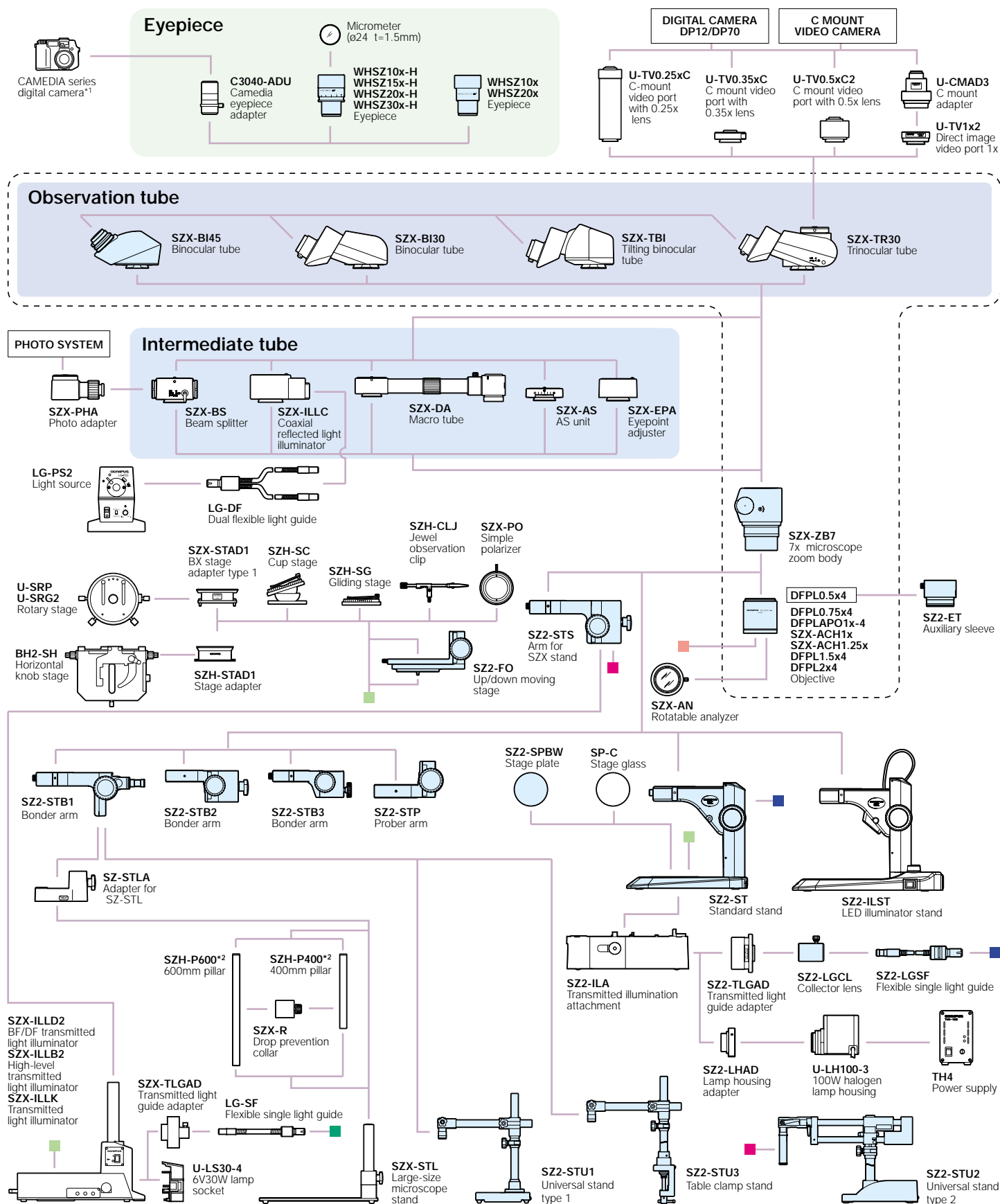


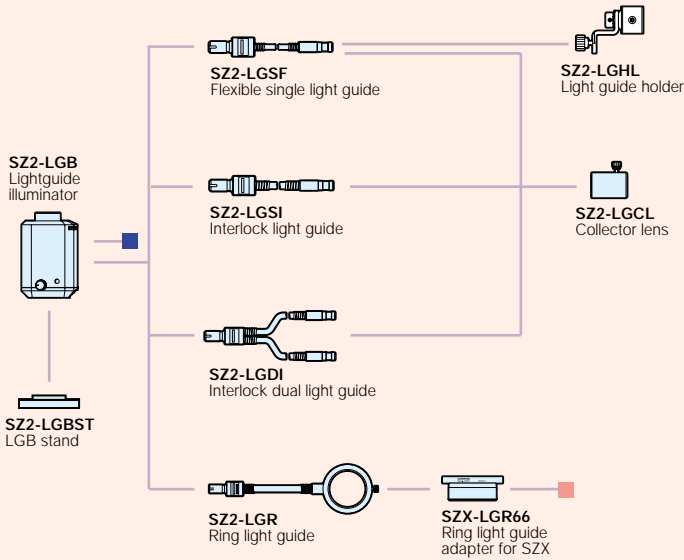
■ SZX7 system diagram



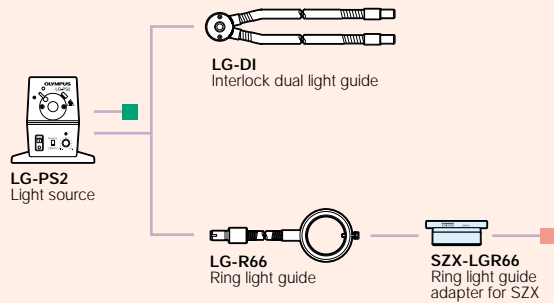
ESD compatible

*1 Please contact the nearest Olympus dealer for applicable models. *2 SZH-P400 and SZH-P600 can be attached to the transmitted light illuminators.

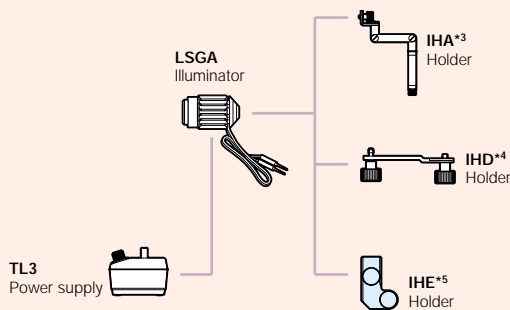
Compact fiber optics system/SZ2-LGB



High power fiber optics system/LG-PS2



Reflected illumination/LSGA



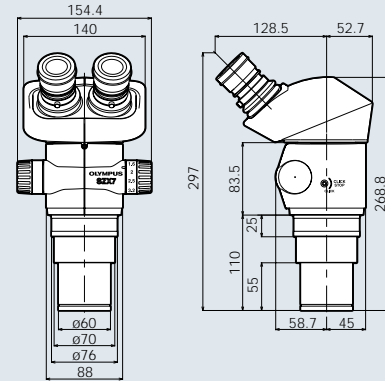
*3 IHA is mountable to SZ2-ST, SZ2-STB1, SZ2-STB3, SZ2-ST5 and TL-3.

*4 IHD is mountable to SZ2-STB1 and SZ2-ST5.

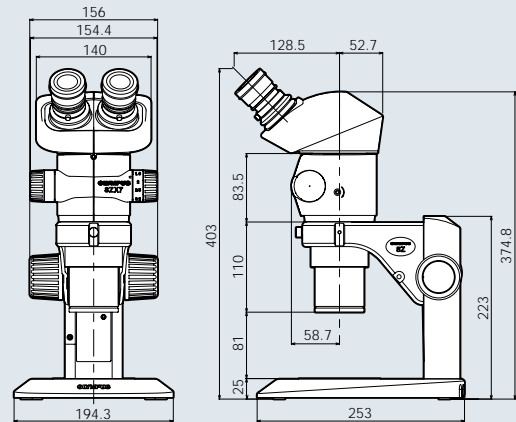
*5 IHE is mountable to SZ2-ST.

■ SZX7 dimensions

SZX7



SZX7+SZ2-ST



SZX7+SZ2-ILST

