

## Data Sheet

# UPLFLN 100XO2

## UPLFLN Series

These objectives also provide flat images from high transmission factors up to the near infrared region of the spectrum through the employment of UW multi-coating. With their high S/N ratio, excellent resolution and high contrast imaging, they are especially effective in brightfield and Nomarski DIC observations.



Please contact your local Olympus sales representative for ] \_tj^v\_b] Qd\_ ^o\_ ^ this transmission.



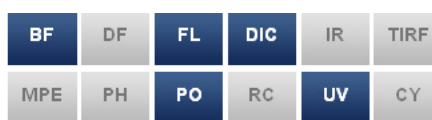
0.2

100x

26.5

1.3

Oil



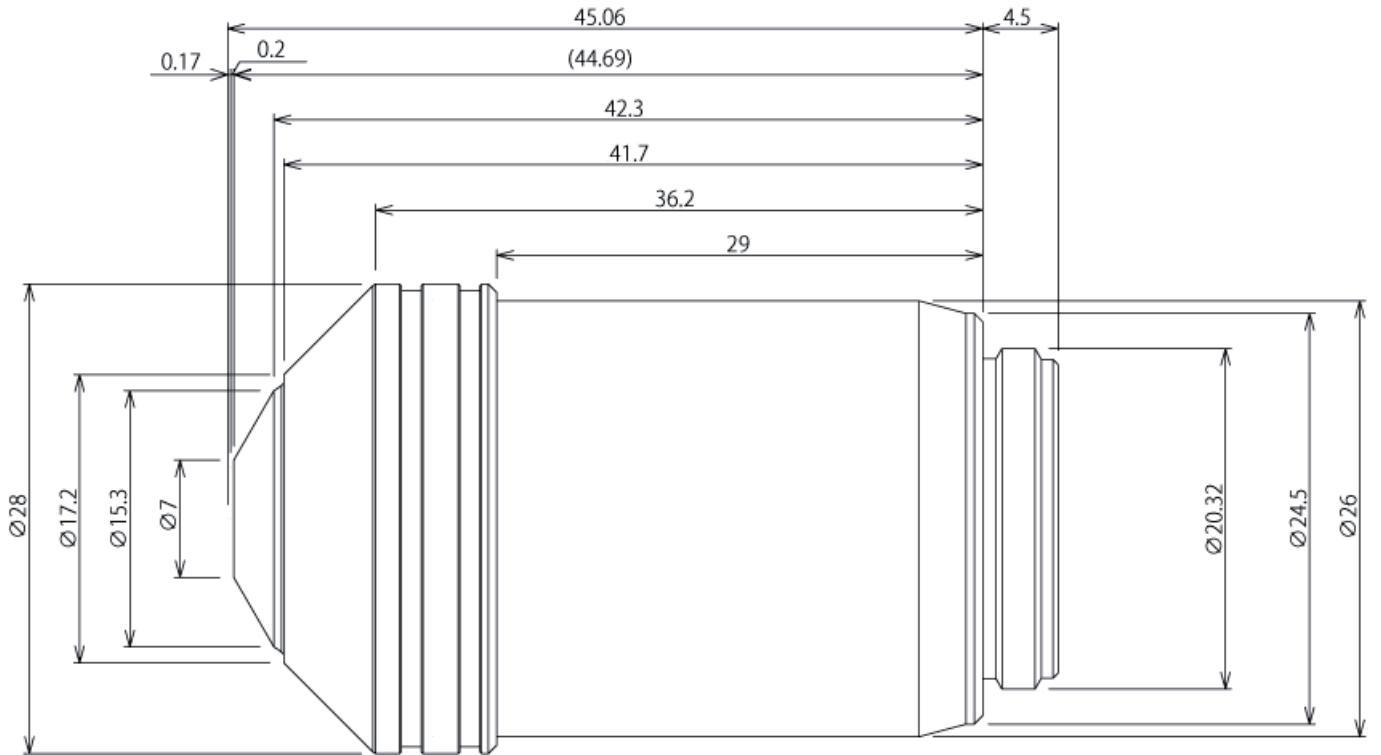
Numerical Aperture (NA)	1.3
Working distance (W.D.) (mm)	0.2
Field Number (F.N.)	26.5
Cover Glass Thickness (mm)	0
Immersion	Oil
Spring	Yes
Correction Collar	-
Iris Diaphragm	-
Waterproof & Oil proof function	Yes
Ultra Wide anti-reflection coating	Yes
Super apochromatic	-
Brightfield	Excellent
Darkfield	N/A
DIC	Excellent
Phase Contrast	N/A
Relief Contrast	N/A
Polarized Light	Good
Fluorescence (B, G Excitation)	Excellent
UV Fluorescence (at 365nm)	Excellent
IR DIC	Good
Multi photon excitation	Limitation

Specifications, design and accessories are subject to change without any notice or obligation on the part of the manufacturer.

Data Sheet

# UPLFLN 100XO2

## UPLFLN Series



Specifications, design and accessories are subject to change without any notice or obligation on the part of the manufacturer.