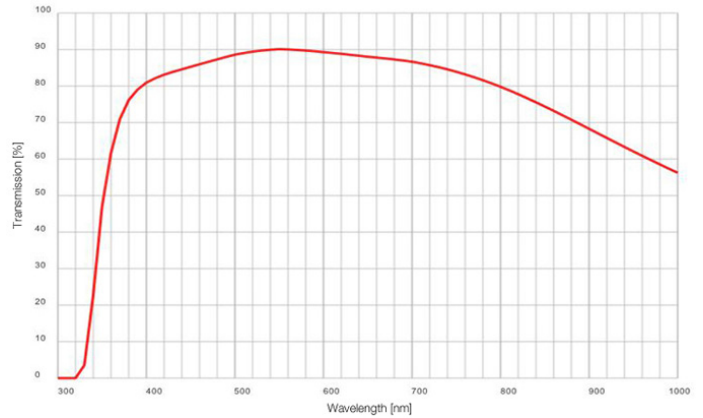


UPLFLN 60XOI

UPLFLN Series

These objectives also provide flat images from high transmission factors up to the near infrared region of the spectrum through the employment of UW multi-coating. With their high S/N ratio, excellent resolution and high contrast imaging, they are especially effective in brightfield and Nomarski DIC observations.



W.D.	MAG	F.N.	NA	IM
0.12	60x	26.5	1,25 - 0,65	Oil

BF	DF	FL	DIC	IR	TIRF
MPE	PH	PO	RC	UV	CY

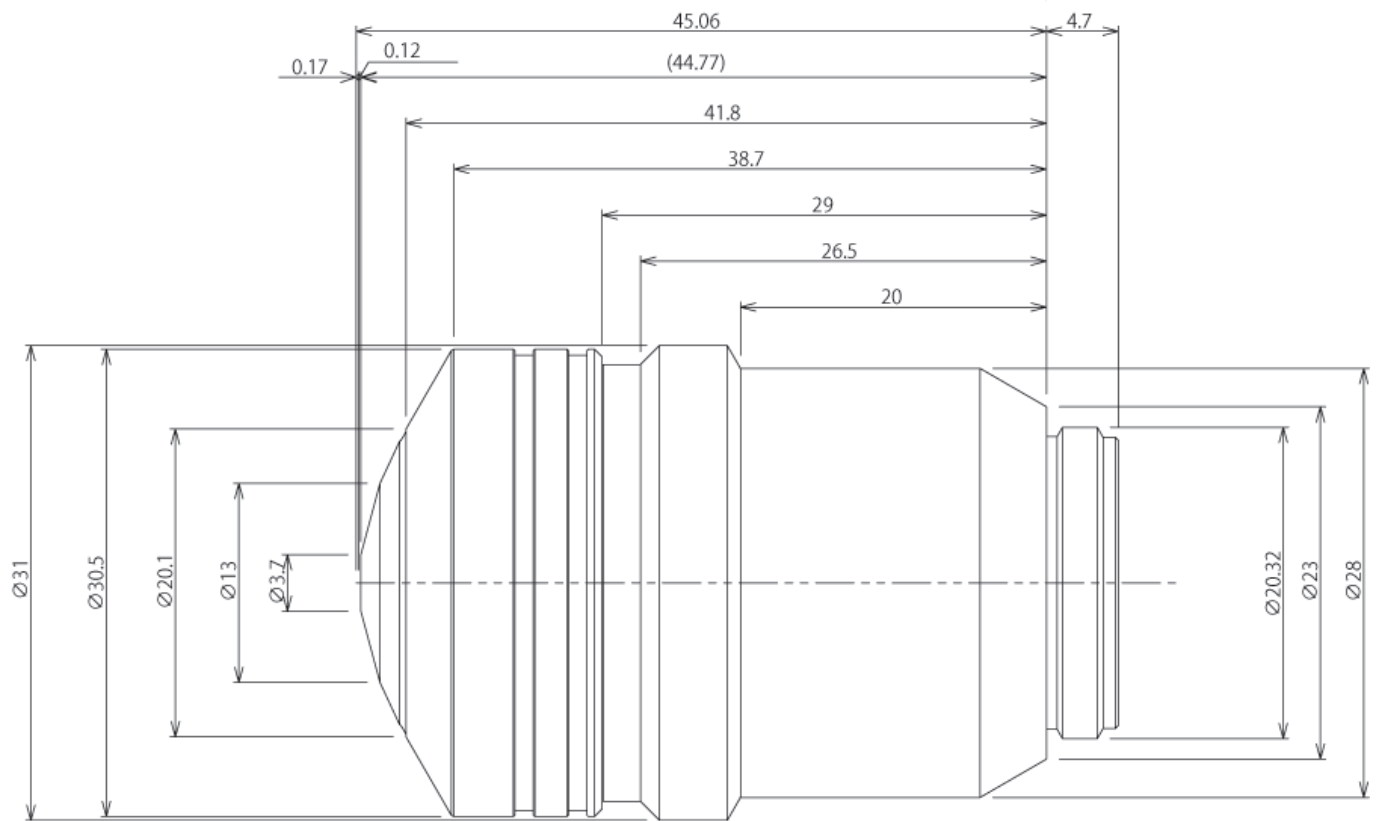
Numerical Aperture (NA)	1.25 - 0.65
Working distance (W.D.) (mm)	0.12
Field Number (F.N.)	26.5
Cover Glass Thickness (mm)	0
Immersion	Oil
Spring	Yes
Correction Collar	-
Iris Diaphragm	Yes
Waterproof & Oil proof function	Yes
Ultra Wide anti-reflection coating	Yes
Super apochromatic	-
Brightfield	Excellent
Darkfield	Good
DIC	Excellent
Phase Contrast	N/A
Relief Contrast	N/A
Polarized Light	Good
Fluorescence (B, G Excitation)	Excellent
UV Fluorescence (at 365nm)	Excellent
IR DIC	Good
Multi photon excitation	Limitation

Specifications, design and accessories are subject to change without any notice or obligation on the part of the manufacturer.

Data Sheet

UPLFLN 60XOI

UPLFLN Series



Specifications, design and accessories are subject to change without any notice or obligation on the part of the manufacturer.