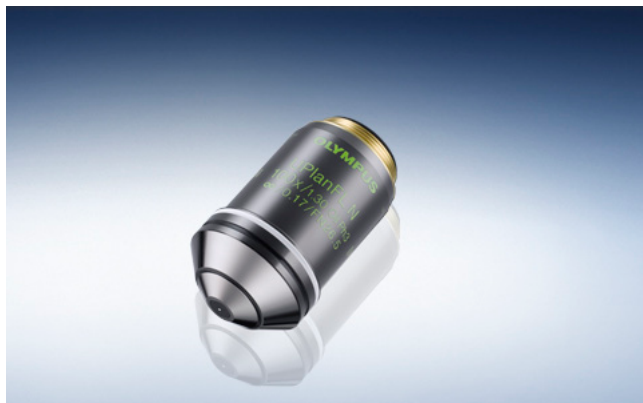


Data Sheet

UPLFLN 100XO2PH

UPLFLN-PH Series

Universal phase-contrast objectives that provide the same critical optical performance as the UPLFLN series. The phase membrane allows a highcontrast image to be produced without using an interference filter.



Please contact your local Olympus sales representative for] _tU^V_b] QdL ^ò ^ this transmission.

				
W.D.	MAG	F.N.	NA	IM
0.2	100x	26.5	1.3	Oil

BF	DF	FL	DIC	IR	TIRF
MPE	PH	PO	RC	UV	CY

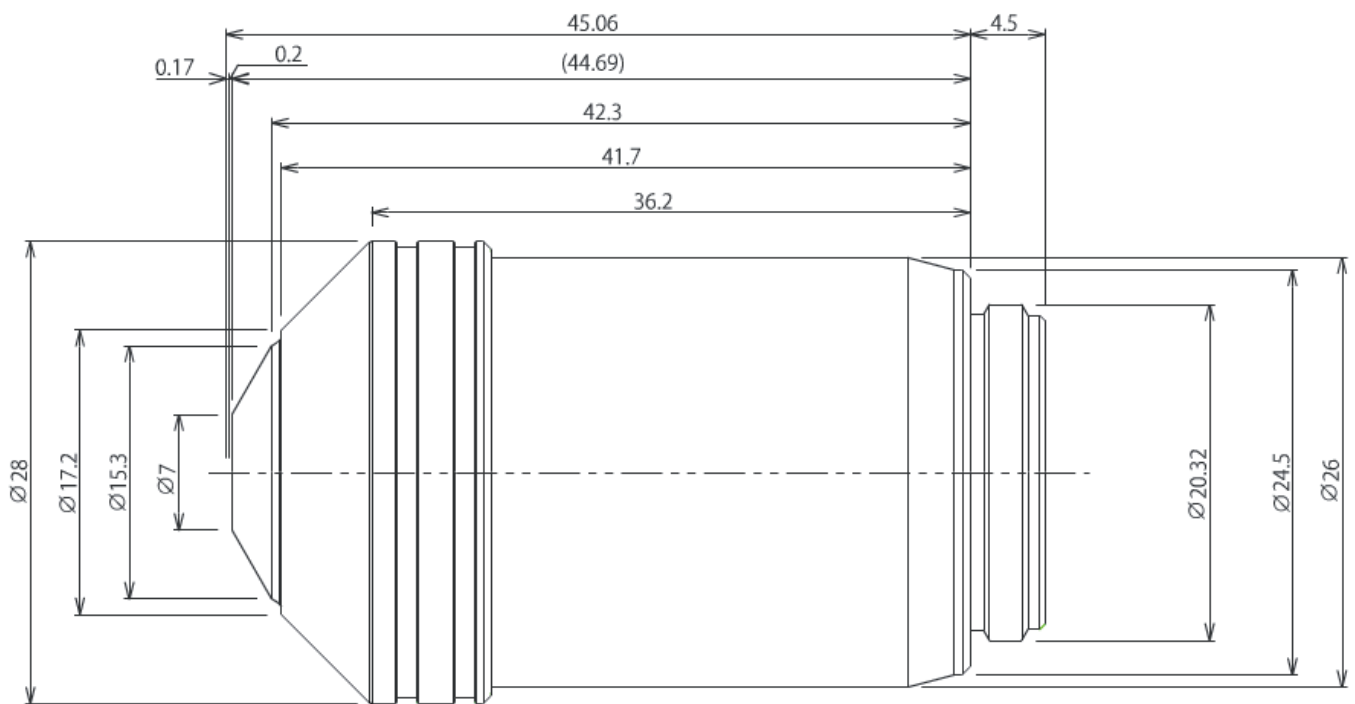
Numerical Aperture (NA)	1.3
Working distance (W.D.) (mm)	0.2
Field Number (F.N.)	26.5
Cover Glass Thickness (mm)	0
Immersion	Oil
Spring	Yes
Correction Collar	-
Iris Diaphragm	-
Waterproof & Oil proof function	Yes
Ultra Wide anti-reflection coating	Yes
Super apochromatic	-
Brightfield	Good
Darkfield	N/A
DIC	Limitation
Phase Contrast	Excellent
Relief Contrast	N/A
Polarized Light	Limitation
Fluorescence (B, G Excitation)	Good
UV Fluorescence (at 365nm)	Good
IR DIC	Limitation
Multi photon excitation	N/A

Specifications, design and accessories are subject to change without any notice or obligation on the part of the manufacturer.

Data Sheet

UPLFLN 100XO2PH

UPLFLN-PH Series



Specifications, design and accessories are subject to change without any notice or obligation on the part of the manufacturer.