

Data Sheet

UPLFLN 60XOIPH

UPLFLN-PH Series

Universal phase-contrast objectives that provide the same critical optical performance as the UPLFLN series. The phase membrane allows a highcontrast image to be produced without using an interference filter.



Please contact your local Olympus sales representative for] _tj^v_b] Qd^o^ ^ this transmission.

 W.D.	 MAG	 F.N.	 NA	 IM
0.12	60x	26.5	1.25 - 0.65	Oil

BF	DF	FL	DIC	IR	TIRF
MPE	PH	PO	RC	UV	CY

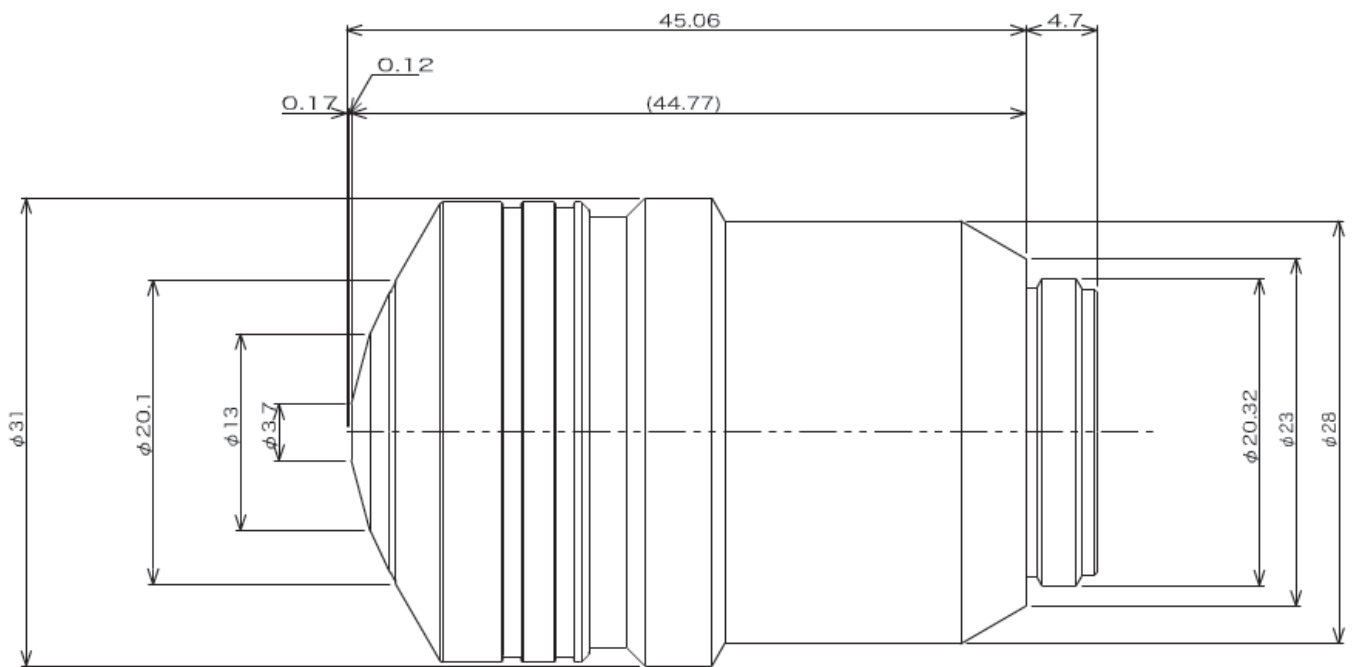
Numerical Aperture (NA)	1.25 - 0.65
Working distance (W.D.) (mm)	0.12
Field Number (F.N.)	26.5
Cover Glass Thickness (mm)	0
Immersion	Oil
Spring	Yes
Correction Collar	-
Iris Diaphragm	Yes
Waterproof & Oil proof function	Yes
Ultra Wide anti-reflection coating	Yes
Super apochromatic	-
Brightfield	Good
Darkfield	Good
DIC	Limitation
Phase Contrast	Excellent
Relief Contrast	N/A
Polarized Light	Limitation
Fluorescence (B, G Excitation)	Good
UV Fluorescence (at 365nm)	Good
IR DIC	Limitation
Multi photon excitation	N/A

Specifications, design and accessories are subject to change without any notice or obligation on the part of the manufacturer.

Data Sheet

UPLFLN 60XOIPH

UPLFLN-PH Series



Specifications, design and accessories are subject to change without any notice or obligation on the part of the manufacturer.