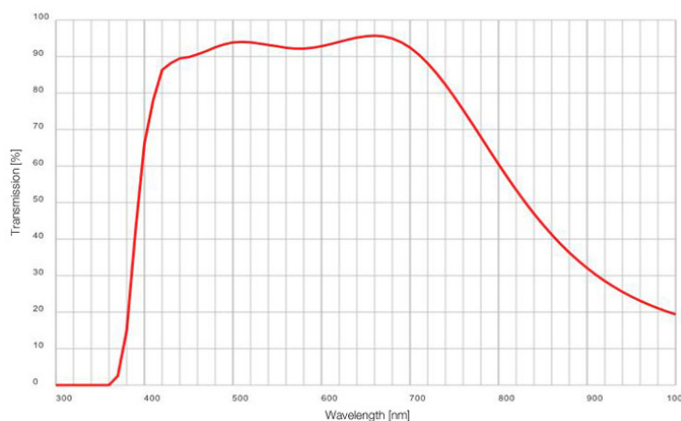


PLAPON 2X

PLAPON Series

These Apochromat objectives feature UW multi-coating to provide flat images from high transmission factors up to the near infrared region of the spectrum. They are also fully suitable for low (1.25x and 2x) magnification observations.



 W.D. 6.2	 MAG 2x	 F.N. 26.5	 NA 0.08	 IM -
--	--	---	---	--

BF	DF	FL	DIC	IR	TIRF
MPE	PH	PO	RC	UV	CY

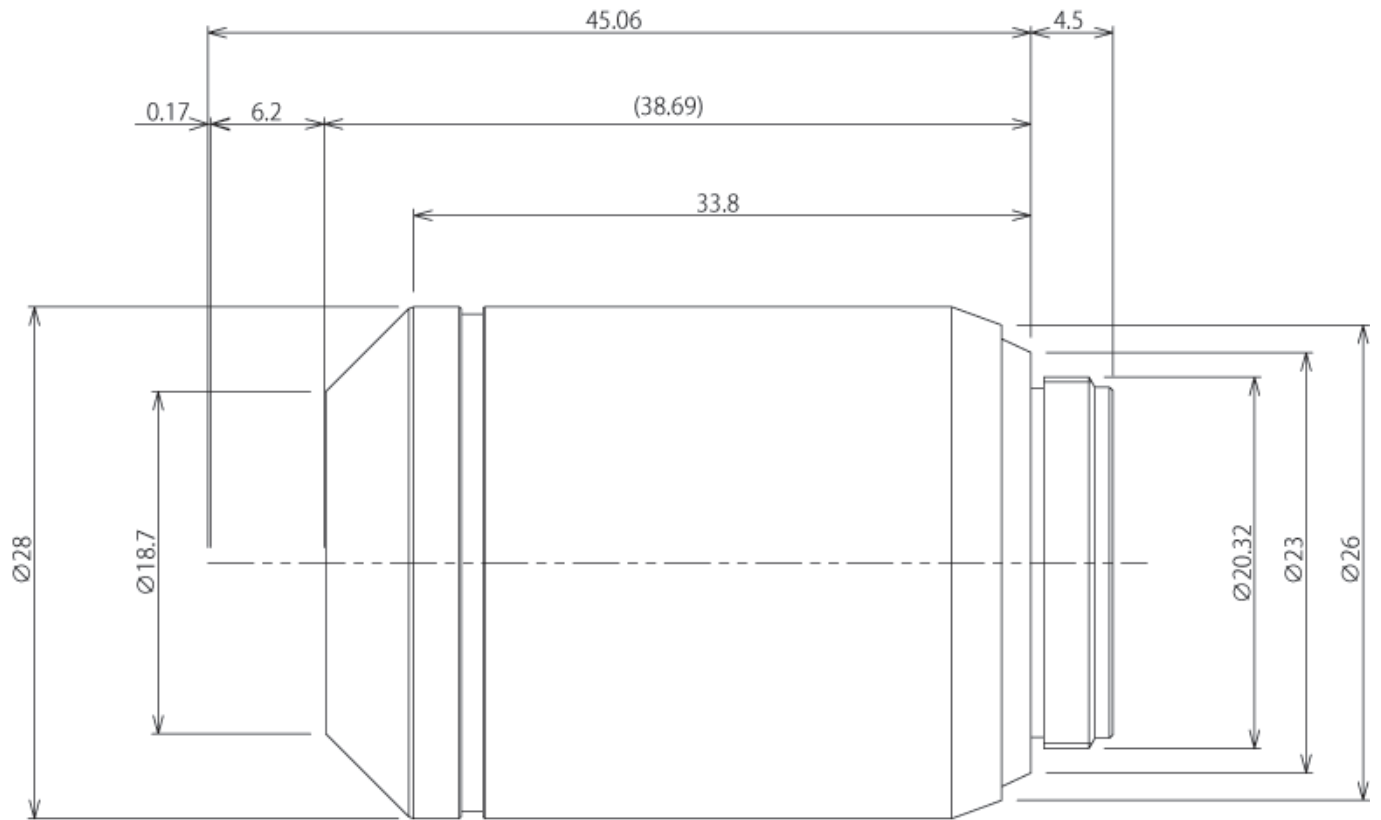
Numerical Aperture (NA)	0.08
Working distance (W.D.) (mm)	6.2
Field Number (F.N.)	26.5
Cover Glass Thickness (mm)	-
Immersio [^]	-
Spring	-
Correction Collar	-
Iris Diaphragm	-
Waterproof & Oil proof function	-
Ultra Wide anti-reflection coating	Yes
Super apochromatic	-
Brightfield	Excellent
Darkfield	N/A
DIC	N/A
Phase Contrast	N/A
Relief Contrast	N/A
Polarized Light	Limitation
Fluorescence (B, G Excitation)	Limitation
UV Fluorescence (at 365nm)	N/A
IR DIC	N/A
Multi photon excitation	N/A

Specifications, design and accessories are subject to change without any notice or obligation on the part of the manufacturer.

Data Sheet

PLAPON 2X

PLAPON Series



Specifications, design and accessories are subject to change without any notice or obligation on the part of the manufacturer.