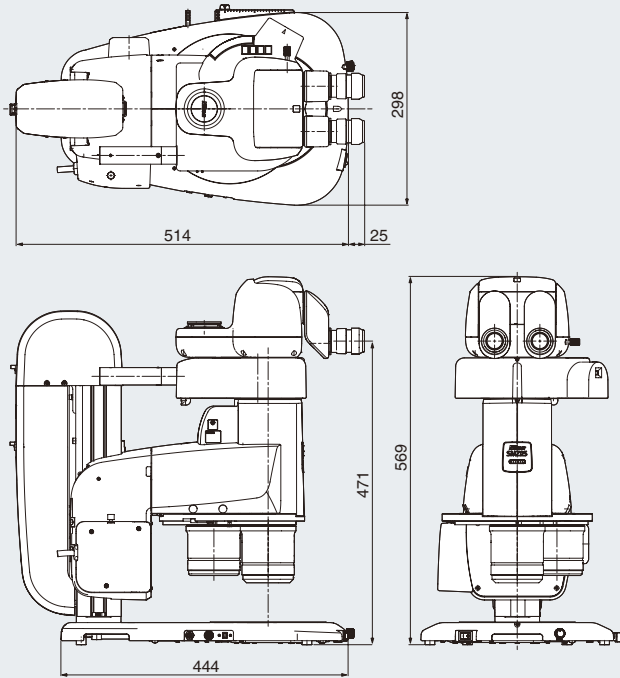


# Dimensions

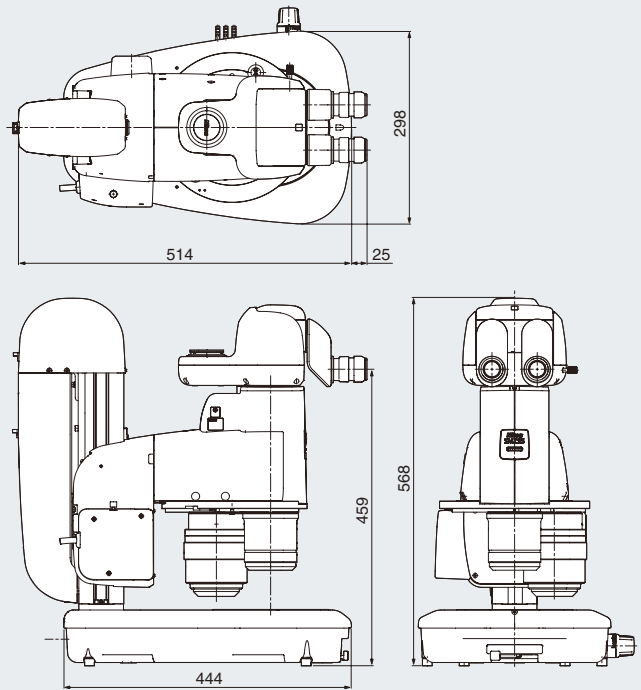
## SMZ25

(configured with motorized epi-fluorescence attachment and LED DIA base)



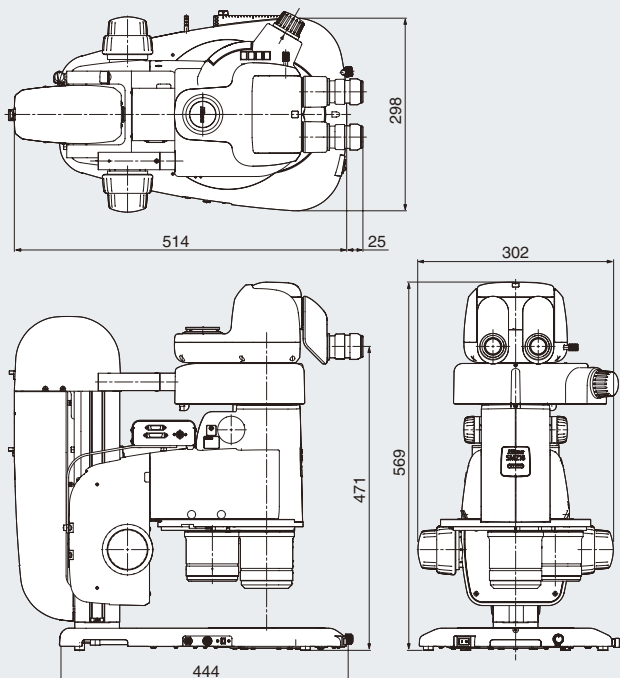
## SMZ25

(configured with fiber DIA base)



## SMZ18

(configured with epi-fluorescence attachment and LED DIA base)



## SMZ18

(configured with plain stand and focus mount)

