

Data Sheet

UPLFLN 100XO12

UPLFLN Series

These objectives also provide flat images from high transmission factors up to the near infrared region of the spectrum through the employment of UW multi-coating. With their high S/N ratio, excellent resolution and high contrast imaging, they are especially effective in brightfield and Nomarski DIC observations.



Please contact your local Olympus sales representative for] _tj^v_b] Qd_ ^o_ ^ this transmission.



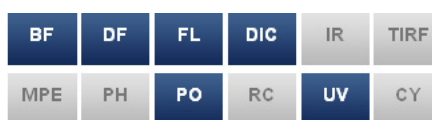
0.2

100x

26.5

1.3 - 0.6

Oil



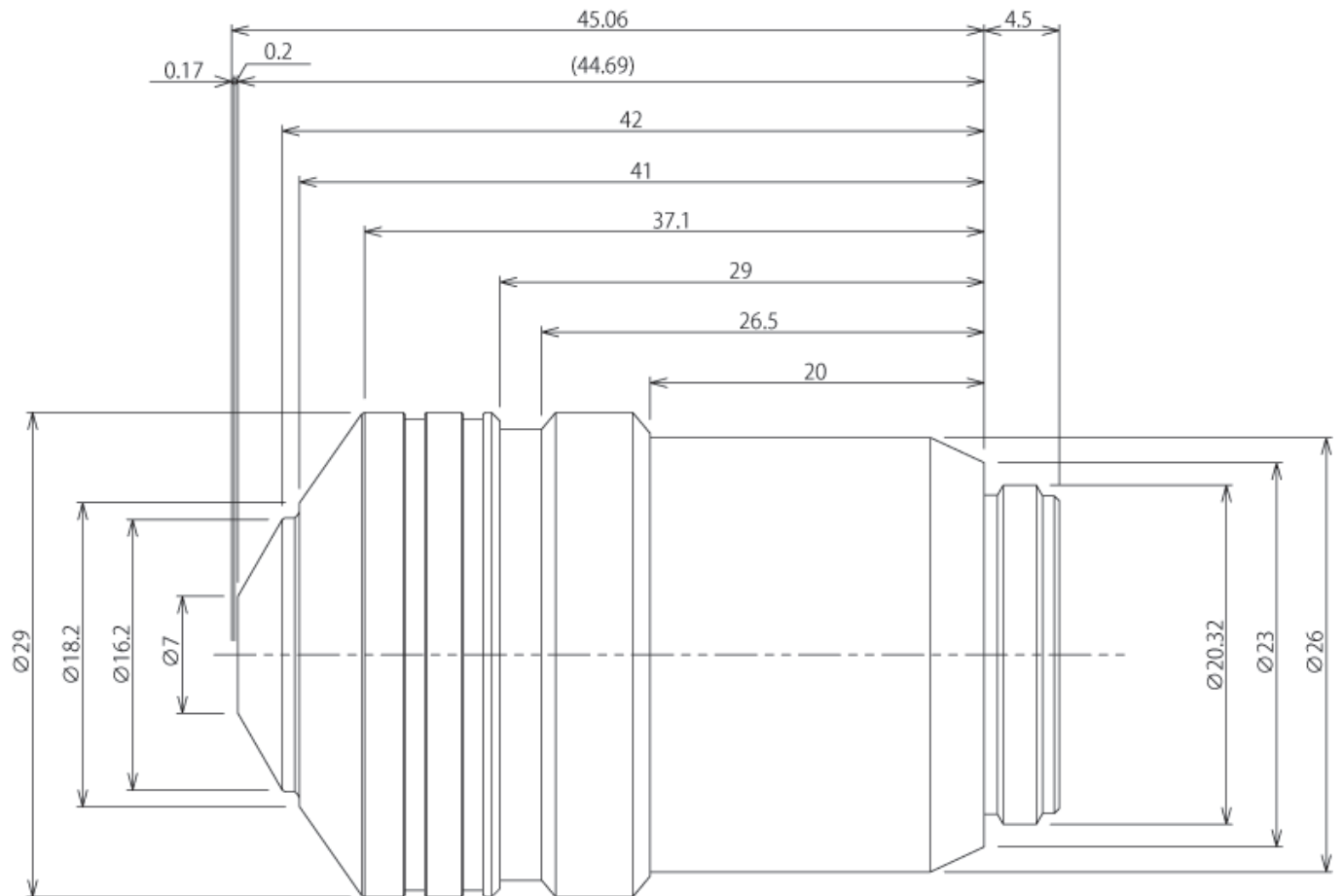
| | |
|------------------------------------|------------|
| Numerical Aperture (NA) | 1.3 - 0.6 |
| Working distance (W.D.) (mm) | 0.2 |
| Field Number (F.N.) | 26.5 |
| Cover Glass Thickness (mm) | 0 |
| Immersion | Oil |
| Spring | Yes |
| Correction Collar | - |
| Iris Diaphragm | Yes |
| Waterproof & Oil proof function | Yes |
| Ultra Wide anti-reflection coating | Yes |
| Super apochromatic | - |
| Brightfield | Excellent |
| Darkfield | Good |
| DIC | Excellent |
| Phase Contrast | N/A |
| Relief Contrast | N/A |
| Polarized Light | Good |
| Fluorescence (B, G Excitation) | Excellent |
| UV Fluorescence (at 365nm) | Excellent |
| IR DIC | Good |
| Multi photon excitation | Limitation |

Specifications, design and accessories are subject to change without any notice or obligation on the part of the manufacturer.

Data Sheet

UPLFLN 100XO12

UPLFLN Series



Specifications, design and accessories are subject to change without any notice or obligation on the part of the manufacturer.