

## Data Sheet

## UPLFLN 4XPHP

## UPLFLN-PHP / CACHN-PHP / LCACHN-PHP

This series is used in combination with the pre-center type phasecontrast slider IX2-SLP. When changing the objective magnification in phase-contrast observation, no centering adjustment is necessary.



Please contact your local Olympus sales representative for ] \_tj8^v\_b] Qd^\_o\_^ this transmission.

 W.D.	 MAG	 F.N.	 NA	 IM
17	4x	22	0.13	-

BF	DF	FL	DIC	IR	TIRF
MPE	PH	PO	RC	UV	CY

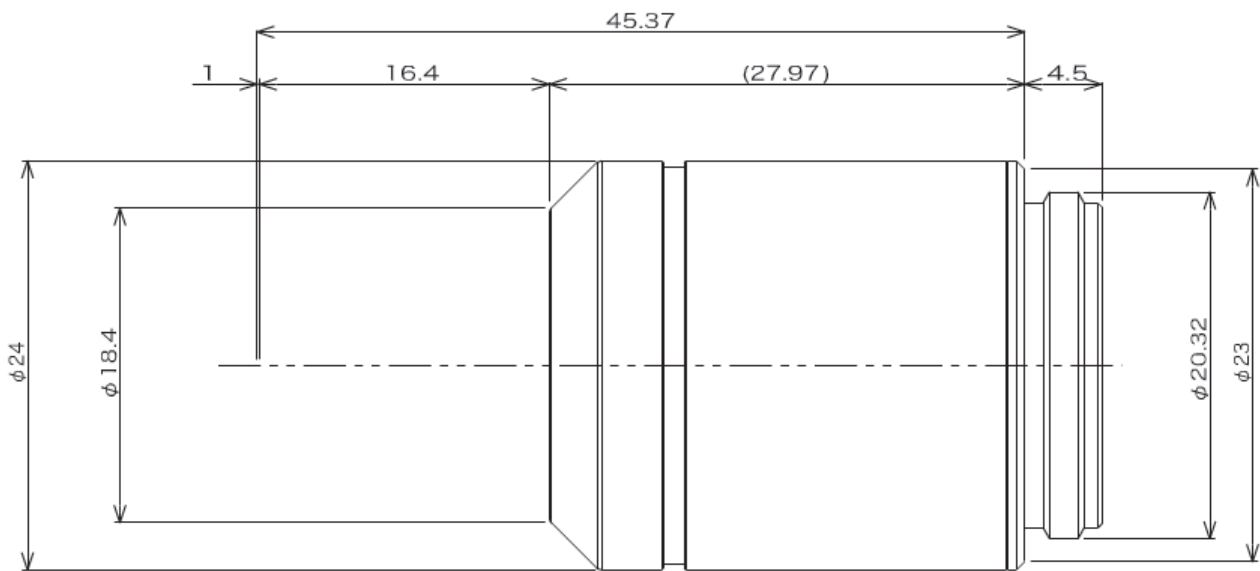
Numerical Aperture (NA)	0.13
Working distance (W.D.) (mm)	17
Field Number (F.N.)	22
Cover Glass Thickness (mm)	-
Immersion	-
Spring	-
Correction Collar	-
Iris Diaphragm	-
Waterproof & Oil proof function	-
Ultra Wide anti-reflection coating	Yes
Super apochromatic	-
Brightfield	Good
Darkfield	N/A
DIC	N/A
Phase Contrast	Excellent
Relief Contrast	N/A
Polarized Light	Limitation
Fluorescence (B, G Excitation)	Good
UV Fluorescence (at 365nm)	Good
IR DIC	N/A
Multi photon excitation	N/A

Specifications, design and accessories are subject to change without any notice or obligation on the part of the manufacturer.

Data Sheet

# UPLFLN 4XPHP

UPLFLN-PHP / CACHN-PHP / LCACHN-PHP



Specifications, design and accessories are subject to change without any notice or obligation on the part of the manufacturer.