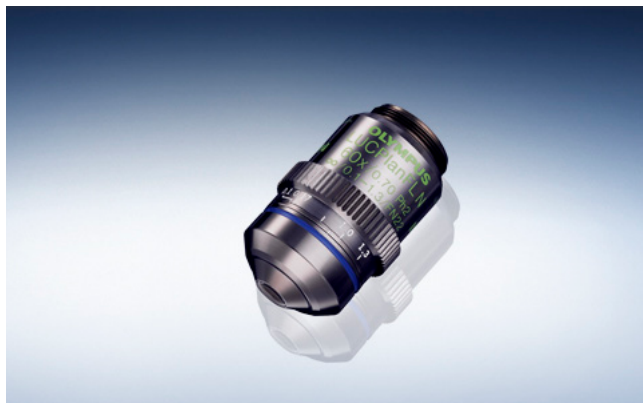


Data Sheet

LUCPLFLN 60XPH

CPLFLN-PH / LUCPLFLN-PH

These objectives are exclusively designed for culture specimens. An excellent phase-contrast image is assured regardless of the thickness and material of the vessel.



Please contact your sales representative for transmission data for this objective lens.

				
W.D.	MAG	F.N.	NA	IM
1.5 - 2.2	60x	22	0.7	Dry

BF	DF	FL	DIC	IR	TIRF
MPE	PH	PO	RC	UV	CY

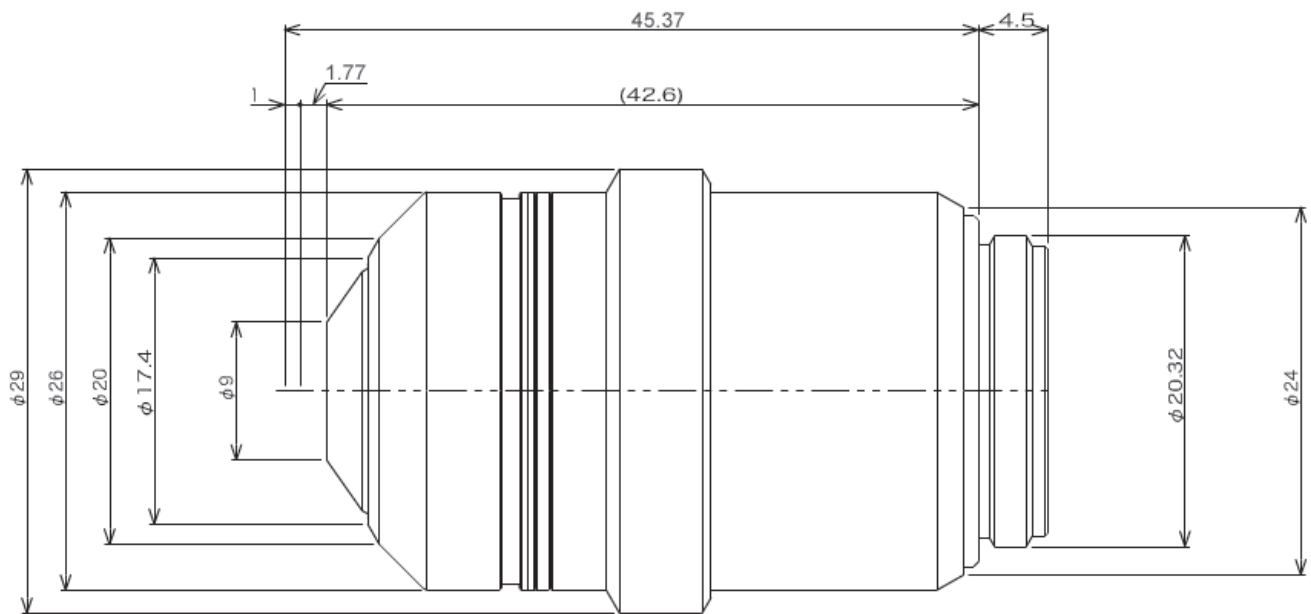
Numerical Aperture (NA)	0.7
Working distance (W.D.) (mm)	1.5 - 2.2
Field Number (F.N.)	22
Cover Glass Thickness (mm)	0.1 - 1.3
Immersion Liquid	-
Spring	-
Correction Collar	Yes
Iris Diaphragm	-
Waterproof & Oil proof function	-
Ultra Wide anti-reflection coating	Yes
Super apochromatic	-
Brightfield	Good
Darkfield	Good
DIC	Limitation
Phase Contrast	Excellent
Relief Contrast	N/A
Polarized Light	Limitation
Fluorescence (B, G Excitation)	Good
UV Fluorescence (at 365nm)	Good
IR DIC	Limitation
Multi photon excitation	N/A

Specifications, design and accessories are subject to change without any notice or obligation on the part of the manufacturer.

Data Sheet

LUCPLFLN 60XPH

CPLFLN-PH / LUCPLFLN-PH



Specifications, design and accessories are subject to change without any notice or obligation on the part of the manufacturer.