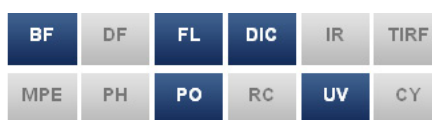
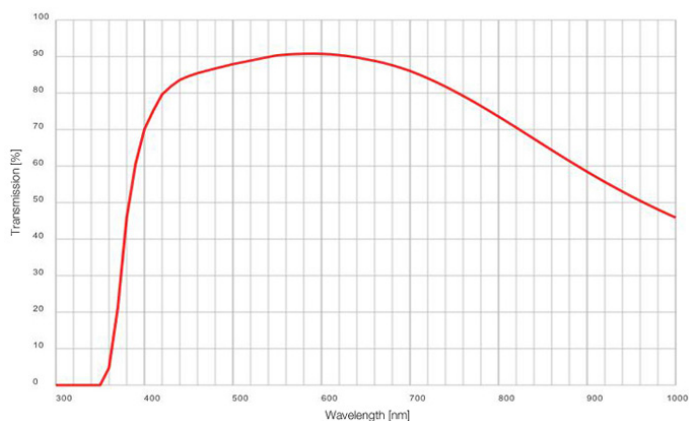


## Data Sheet

## PLAPON 60XO

## PLAPON Series

These Apochromat objectives feature UW multi-coating to provide flat images from high transmission factors up to the near infrared region of the spectrum. They are also fully suitable for low (1.25x and 2x) magnification observations.



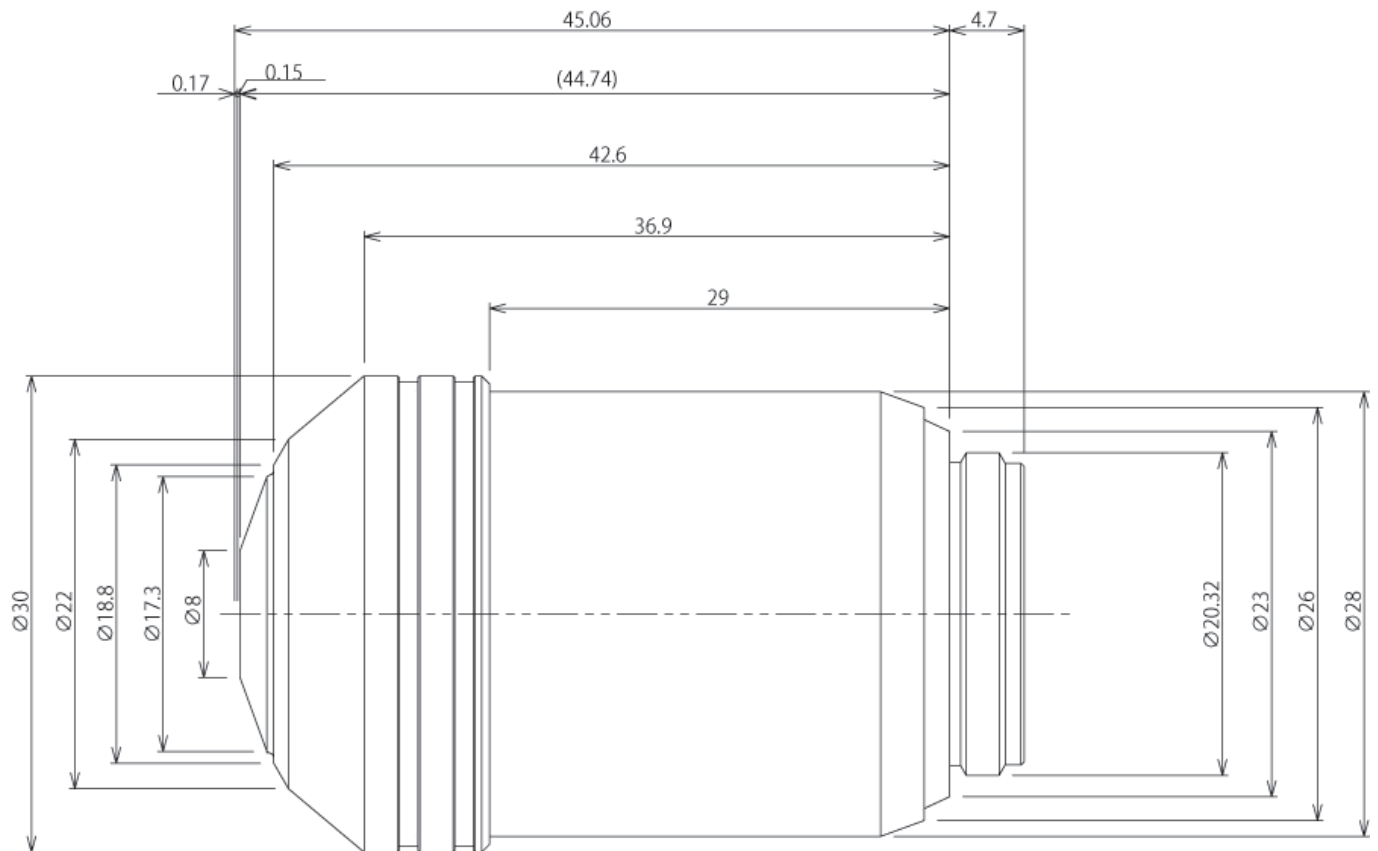
Numerical Aperture (NA)	1.42
Working distance (W.D.) (mm)	0.15
Field Number (F.N.)	26.5
Cover Glass Thickness (mm)	0
Immersion	Oil
Spring	Yes
Correction Collar	-
Iris Diaphragm	-
Waterproof & Oil proof function	Yes
Ultra Wide anti-reflection coating	Yes
Super apochromatic	-
Brightfield	Excellent
Darkfield	N/A
DIC	Good
Phase Contrast	N/A
Relief Contrast	N/A
Polarized Light	Good
Fluorescence (B, G Excitation)	Excellent
UV Fluorescence (at 365nm)	Good
IR DIC	Good
Multi photon excitation	Limitation

Specifications, design and accessories are subject to change without any notice or obligation on the part of the manufacturer.

Data Sheet

# PLAPON 60X0

## PLAPON Series



Specifications, design and accessories are subject to change without any notice or obligation on the part of the manufacturer.